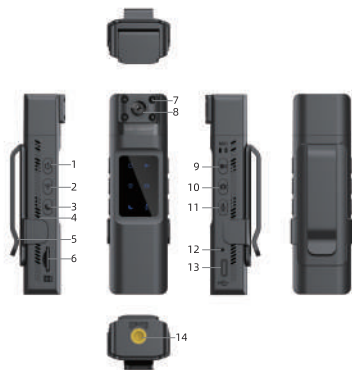


产品说明书



产品说明

- 1) 电源键
- 2) WiFi打开键 (无WiFi产品功能无效)
- 3) 夜视灯开键
- 4) 麦克风
- 5) 背夹
- 6) TF卡槽
- 7) 夜视灯
- 8) 镜头
- 9) 录像键
- 10) 拍照键
- 11) 录音键
- 12) 复位孔
- 13) USB接口
- 14) 固定螺母

按键及功能介绍

- 1: 电源键:
长按开机, 再次长按关机 (同时图标显示灯亮和灯灭)
- 2: WiFi打开键:
长按打开WiFi, 再次长按关闭WiFi (同时图标显示灯亮和灯灭)
- 3: 夜视灯:
长按打开夜视灯, 再次长按关闭。(同时图标灯亮打开/灯灭关闭)
- 4: 麦克风:
是录单音的收音孔
- 5: 背夹:
方便固定胸前
- 6: TF卡槽:
TF卡最大支持128G
- 7: 夜视灯:
上下旋转90° 前后旋转180°
- 8: 镜头:
上下旋转90° 前后旋转180°
- 9: 录像:
长按录像键, 蓝灯闪烁, 进入录像模式, 短按停止并保存录像, 同时蓝灯会熄灭
- 10: 拍照:
长按拍照键1次, 蓝灯闪烁1次, 拍照保存1张
- 11: 录音键:
长按录音键, 蓝灯闪烁, 进入录音模式, 短按停止并保存录音, 同时蓝灯会熄灭

- 12: 复位孔:
当机器异常死机情况时, 用针孔状的东西短截一下, 可重新启动
- 13: USB接口:
1: Type-c用于连接外接电源给电池充电或提供工作电源
2: 用于连接PC端可进行存储器/PC摄像/视频模式
- 14: 固定螺母:
如配有支架, 用于固定自行车, 电动车, 摩托车上用于户外拍摄

基本操作说明:

- 1: 长按电源键, 蓝灯长亮, 处于开机状态, 再次长按, 就会关机熄灯, 充电情况下, 蓝红灯长亮, 充满电红灯熄灭
- 2: 开机状态下, 插入TF卡, 短按录像键, 蓝灯开始闪烁, 进入录像模式, 再次长按, 关闭录像并保存, 蓝灯熄灭
- 3: 开机状态下, 插入TF卡, 短按拍照键, 蓝灯闪烁1次, 自动保存1次拍照内容
- 4: 开机状态下, 插入TF卡, 短按录音键, 蓝灯闪烁, 进入录音模式, 再次短按关闭录音, 并保存, 同时蓝灯熄灭
- 5: 短按夜视灯打开键, 蓝灯长亮, 夜视灯打开, 再次短按, 夜视灯关闭, 蓝灯熄灭
- 6: 短按WiFi键, 蓝灯长亮, WiFi打开, 可以先扫二维码下载APP, 找到WiFi名称L13开头、、、、、点击连接, 初始密码为12345678备注 (WiFi是选配的) 连接上以后可以手机上查看内存卡里面的内容, 并下载手机

上 (可选) 使用完后, 再次短按WiFi键, 蓝灯熄灭3S后WiFi才能完全退出, 没有完全退出后, 马上使用其他功能, 容易造成死机, 须用针孔样的东西对准复位键短截一下, 重新启动 (WiFi是选配无WiFi产品功能无效)

- 7: 修改时间, 先将TF内存卡, 插入本机卡槽后, 用数据线连接电脑, 电脑出现“可移动磁盘”点开它, 下面会出现时间文档, “time.txt”双击点开会出现一组时间格式数字, (切记修改时间格式不能改动, 只能改数字)

1: 如格式显示2022-01-01 01: 01: 01N (N为无时间水印显示)

2: 改格式显示2022-01-01 01: 01: 01Y (Y为有时间不印显示)

系统默认是无时间水印显示, 如须要时间水印显示, 就把格式尾部的N改为Y, 再改动数字、年、月、日、时、分、秒, 然后点击文档左上角的“文件”先项, 选择“保存”后, 将本机从电脑弹出, 时间设置完成。

智能高清录音笔 产品合格证



检验: 合格



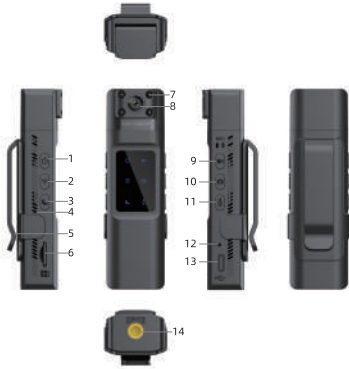
QC编号: _____



GoPlus CamPro
(选配)

WiFi名称: L13开关
初始密码: 12345678

Product manual



DESCRIPTION

- 1) Power button
- 2) WiFi open key (invalid without WiFi product function)
- 3) Night vision light on button
- 4) Mark hole
- 5) Back clip
- 6) TF card slot
- 7) Night vision lamp
- 8) Lens
- 9) Video recording button
- 10) Camera button
- 11) Recording button
- 12) Reset hole
- 13) USB interface
- 14) Fixed nut

Introduction to buttons and functions

- 1: Power button:
Press and hold to turn on the device, then press and hold to turn off the device again (while the icon displays lights on and off)
- 2: WiFi on button:
Long press to turn on WiFi, then long press to turn off WiFi again (with the icon displaying both on and off)
- 3: Night vision light:
Long press to turn on the night vision light, then long press again to turn it off. (At the same time, the icon light remains on/off for a long time)
- 4: Mark hole:
It is a radio hole for recording single tones
- 5: Back clip:
Convenient to secure the chest
- 6: TF card slot:
TF cards can support up to 128G
- 7: Night vision lights:
- 8: Lens:
Rotate 90° up and down, rotate 180° back and forth
- 9: Recording:
Long press and hold the recording button, the blue light flashes to enter recording mode, short press to stop and save the recording, and the blue light will turn off at the same time

- 10: Take a photo:
Press and hold the take a photo button once, the blue light flashes once, and take a photo to save one
- 11: Record button:
Long press and hold the record button, the blue light flashes, entering the recording mode. Short press to stop and save the recording, while the blue light will turn off
- 12: Reset hole:
When the machine crashes abnormally, use a needle hole like object to briefly poke and restart it
- 13: USB interface:
 - 1: Type-c is used to connect an external power source to charge the battery or provide working power
 - 2: Used to connect PC for memory/PC camera/video mode
- 14: Fixed nut:
If equipped with a bracket, used to secure bicycles, electric vehicles, motorcycles for outdoor photography

Basic operating instructions

- 1: Long press and hold the power button, the blue light will stay on and be in the power on state. Press and hold again, it will turn off and turn off the light. When charging, the blue and red light will stay on and turn off when fully charged

- 2: When turned on, insert the TF card, briefly press the recording button, the blue light starts to flash, enter recording mode, press and hold again, turn off recording and save, and the blue light goes out
- 3: When turned on, insert the TF card, briefly press the photo button, the blue light flashes once, and the photo content is automatically saved once
- 4: When turned on, insert the TF card, briefly press the recording button, the blue light flashes, and enter the recording mode. Short press again to turn off the recording and save, while the blue light goes out
- 5: Short press the night vision light on button, the blue light will stay on, the night vision light will turn on, short press again, the night vision light will turn off, and the blue light will turn off
- 6: Short press the WiFi key, the blue light will stay on, and WiFi will open. You can first scan the QR code to download the app, find the WiFi name starting with L13,,,,, and click to connect. The initial password is 12345678. Note (WiFi is optional) After connecting, you can view the contents of the memory card on the phone and download it to the phone (optional). After using it, short press the WiFi key again, and the blue light will turn off for 3 seconds before WiFi can completely exit. After not completely exiting, immediate use of other functions can easily cause a crash. It is necessary to use a pinhole like object to align with the reset button and briefly

poke it to restart (WiFi is an optional component, and the WiFi product function is invalid)

- 7: To modify the time, first insert the TF memory card into the local card slot and connect it to the computer using a data cable. The computer will display "Removable Disk" and click to open it. The time document will appear below. Double click on "time, txt" and a set of time format numbers will appear in the meeting. (Remember that modifying the time format cannot be changed, only numbers can be changed)
 - 1: As shown in the format 2022-01-01 01:01:01N (N represents no time watermark display)
 - 2: Change the format to display 2022-01-01 01:01:01Y (Y means no time stamp display).

The system defaults to no time stamp display. If you need a time stamp display, change the N at the end of the format to Y, and then change the number, year, month, day, hour, minute, and second. Click on the "File" option in the upper left corner of the document, select "Save", and the computer will pop up. The time setting is complete.

Intelligent HD recorder Product certificate

QC No: 



GoPlus CamPro
(matching)

WiFi name: L13 switch
Initial password: 12345678